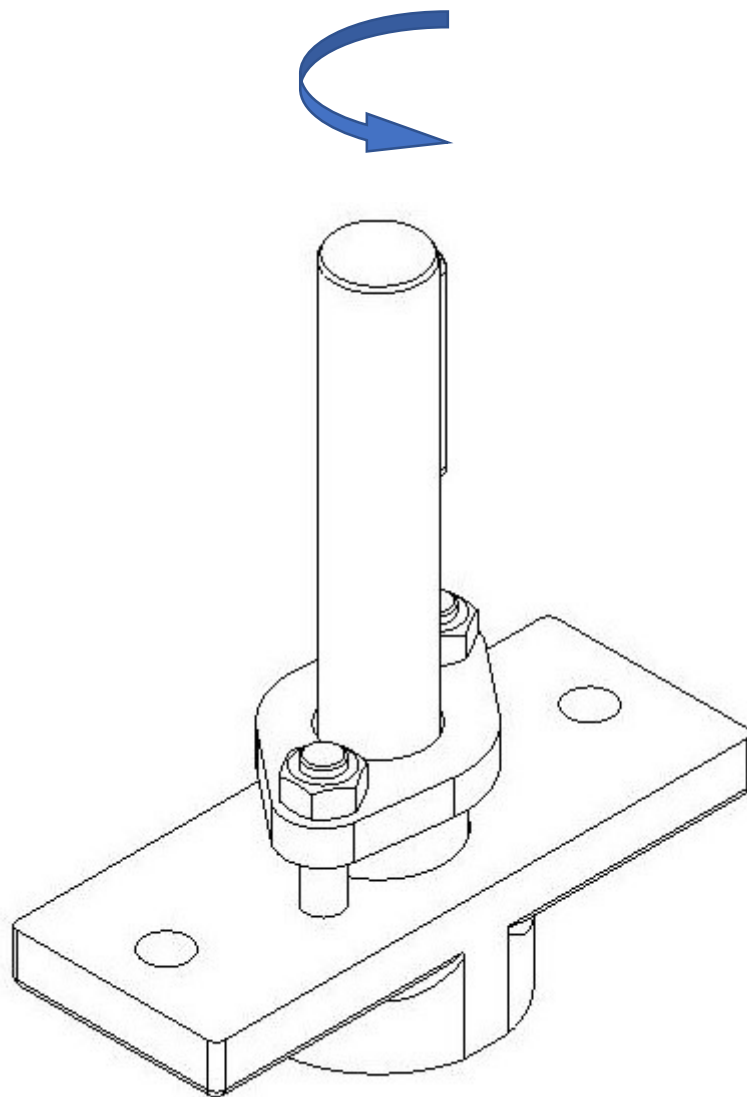


Assembly help for the Oden actuators.

Assembly of the actuator with assembly kit:

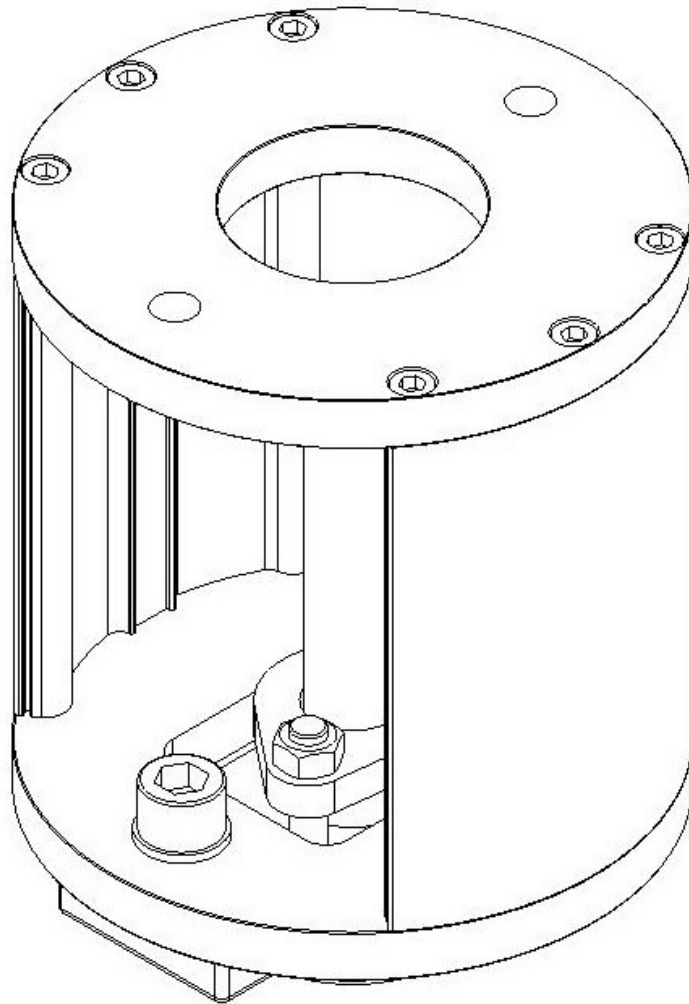
Installation instructions for rotary actuators!

Open the valve a little.



1.

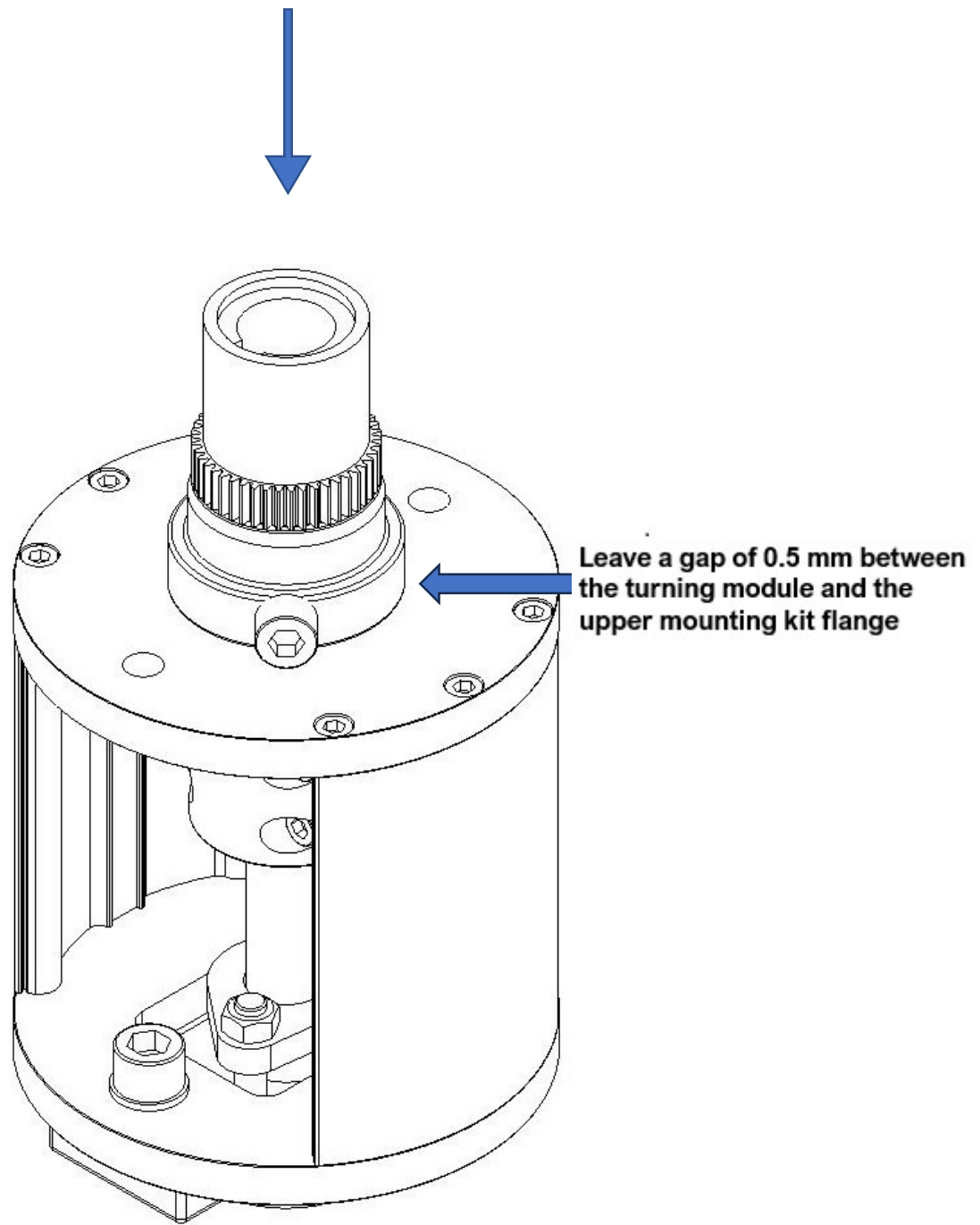
Install the mounting kit on the valve.



2.

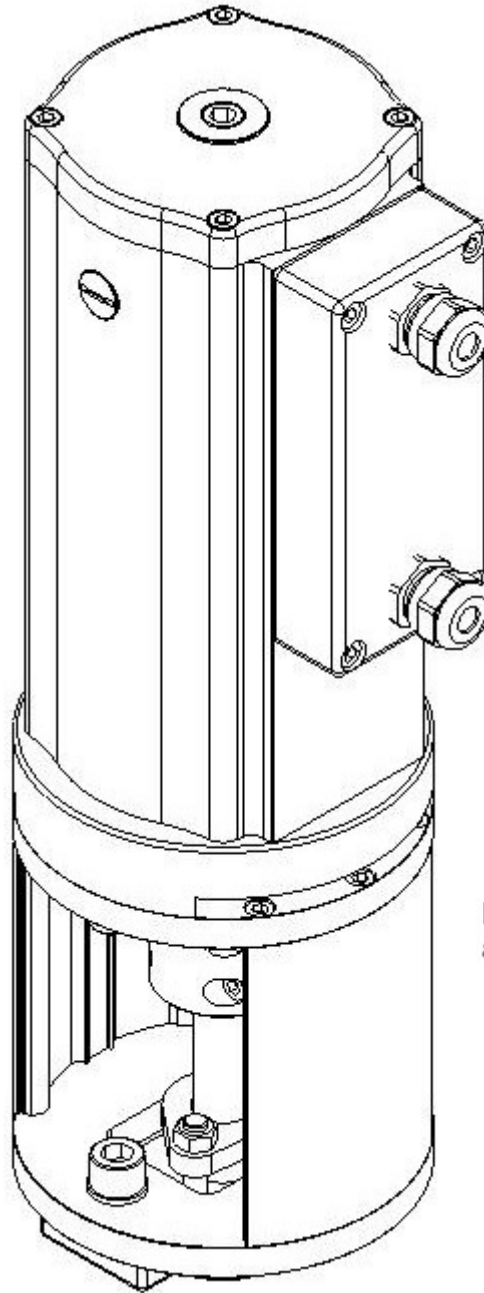
Mount the turning module on the valve shaft.

Consider the keyway.



3.

Mount the actuator. Install the cables and calibrate.



Remember to tighten all bolts in assembly kit.

4.

Note, if you replace only the actuator, remove old actuator, and make assembly of the new one!

If you need support, send your question to: oden@odencontrol.com